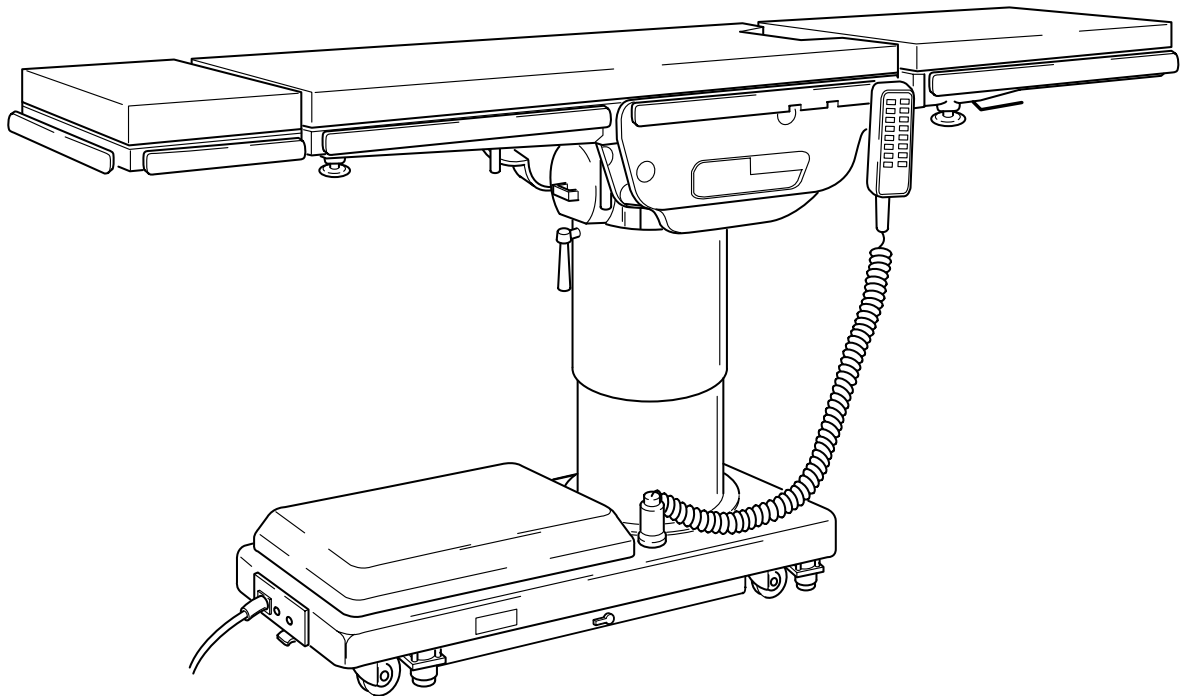




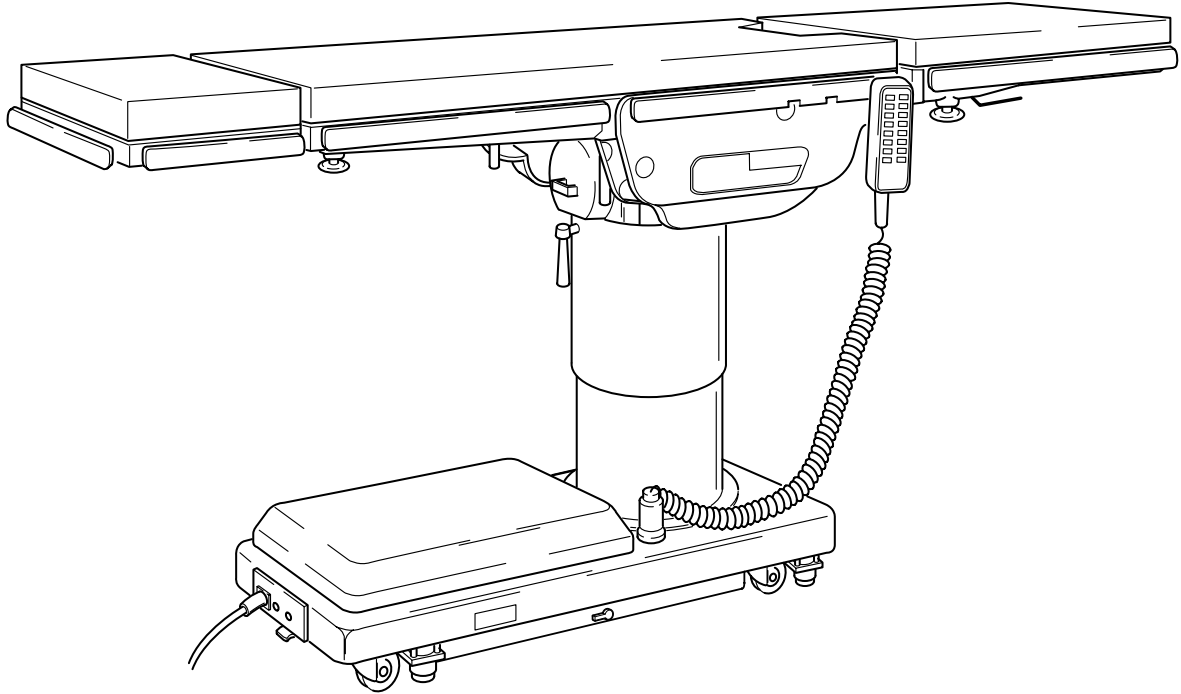
# **SKYTRON**

## ***ELITE SERIES SURGICAL TABLES OPERATORS MANUAL***



### ***MODEL ELITE 6500 INCLUDING BATTERY MODELS***





**MODEL ELITE 6500N**

### **SKYTRON STANDARD LIMITED WARRANTY**

SKYTRON, a Division of the KMW Group, Inc. (SKYTRON) warrants all new products sold by it directly or through a dealer or other authorized representative, with exception to replacement parts, spares, bulbs (surgical lights), pads, and accessory items (surgical tables) to be free from defects in material or workmanship, under normal use and service, for a period of two (2) years. This warranty shall include the cost of repair or replacement of defective parts including the cost of service labor and travel time to the site of equipment use. Delays caused by the user in accessing the equipment for repair will be chargeable at the normal hourly rate for service by SKYTRON's authorized service representative. The warranty period shall begin with the initial operation or one (1) year after receipt of the product, whichever shall occur first.

Replacement parts, spares, bulbs (surgical lights), pads and accessory items (surgical tables) are warranted to be free from defects in material or workmanship, under normal use and service, for a period of ninety (90) days from receipt by the ultimate user, with exception to replacement parts supplied by SKYTRON, for products under warranty, which shall be covered for any remaining period of the original product warranty, or for 90 days, whichever is of greater benefit to the ultimate user.

SKYTRON's responsibility and liability shall be limited to the repair or replacement of any part which we, SKYTRON, determine to be defective within the applicable warranty period. Minor adjustments required as a result of normal wear during the use of the product within the warranty period are not covered under warranty. The labor portion of this warranty is covered by SKYTRON's Authorized Service Agent. Repairs made by others are not authorized nor covered by SKYTRON with respect to labor costs.

SKYTRON shall not be liable for any other expense, loss or damage, whether direct, incidental, consequential or exemplary arising in connection with the sale or use of or the inability to use SKYTRON products.

NO EXPRESS WARRANTY IS GIVEN BY SKYTRON WITH RESPECT TO ITS PRODUCTS EXCEPT AS SPECIFICALLY SET FORTH HEREIN. ANY WARRANTY IMPLIED BY LAW, INCLUDING ANY WARRANTY OF MERCHANTABILITY OR FITNESS FOR A PARTICULAR PURPOSE, IS EXPRESSLY LIMITED TO THE TWO-YEAR AND 90-DAY TERMS SET FORTH ABOVE. THE FOREGOING STATEMENTS OF WARRANTY ARE EXCLUSIVE AND IN LIEU OF ALL OTHER REMEDIES.

No dealer, agent, employee or other representative of SKYTRON is authorized to extend or enlarge this warranty.

**REV. 02/02**

Although current at the time of publication, SKYTRON's policy of continuous development makes this manual subject to change without notice.



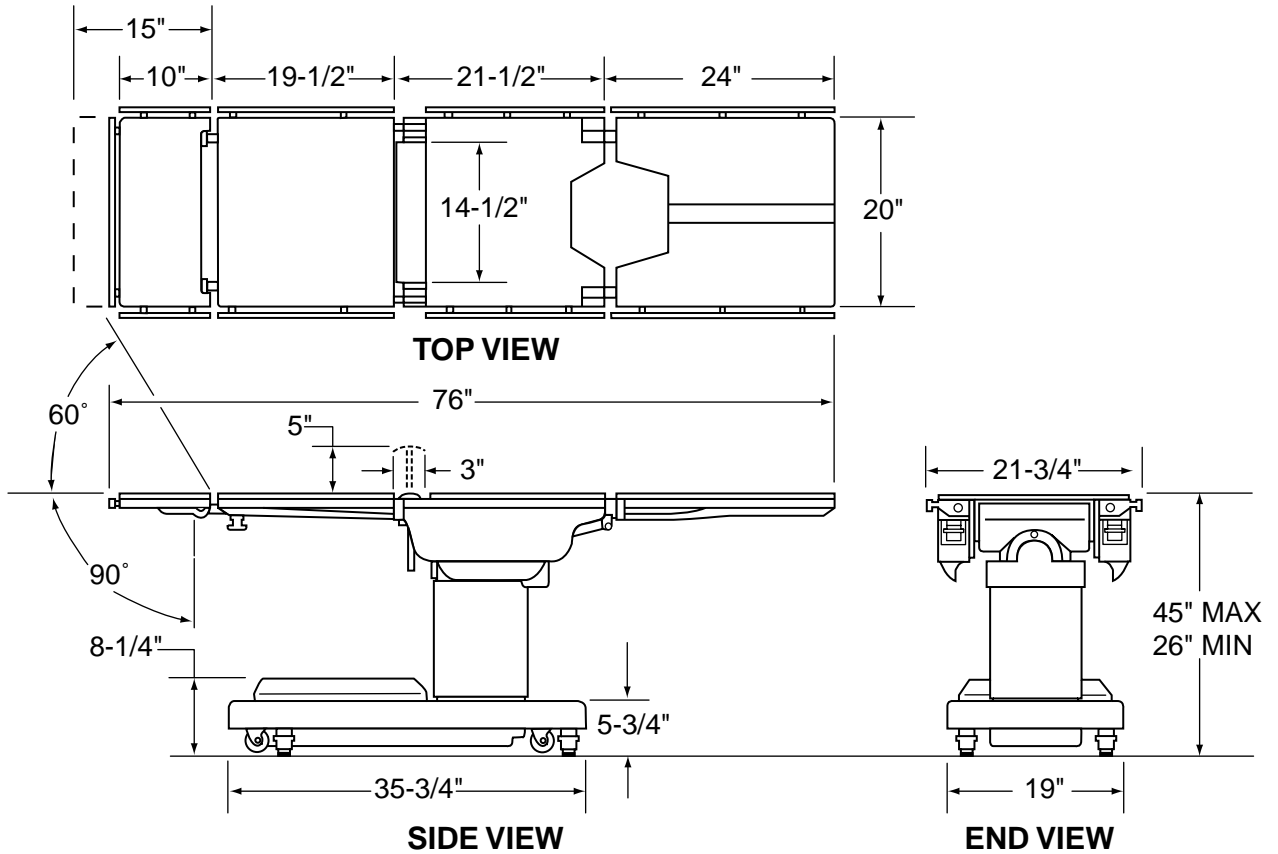
# TABLE OF CONTENTS

Title	Page
SPECIFICATIONS .....	1
SPECIAL USER ATTENTION .....	2
SECTION I INTRODUCTION .....	5
1-1. General .....	5
1-2. Power Requirements .....	5
1-3. Pendant Control Unit .....	6
1-4. Floor Lock/Brake System .....	6
SECTION II BATTERY TABLE OPERATION .....	7
2-1. AC 120V Operation .....	7
2-2. Battery Operation .....	7
2-3. Automatic Shut-Off .....	8
2-4. Charging the Battery .....	8
2-5. Emergency Back-Up Controls .....	8
SECTION III OPERATION .....	9
3-1. Electrical Power .....	9
3-2. Positioning Functions .....	9
a. Floor Lock/Brake system .....	9
b. Emergency Brake Release .....	9
c. Trendelenburg .....	10
d. Lateral Tilt .....	10
e. Back Section .....	10
f. Elevation .....	11
g. Leg Section .....	11
h. Flex Positioning .....	11
i. Kidney Lift .....	11
j. Return To Level .....	12
k. Pendant Control Storage .....	12
3-3. Head Section .....	12
3-4. Leg Section Removal. ....	12
3-5. 180 Degree Table Top Rotation. ....	13
3-6. Specialty Positioning .....	13
SECTION IV MAINTENANCE .....	16
4-1. Preventive Maintenance .....	16
4-2. Cleaning Recommendations .....	16
4-3. Service .....	17



## 6500 Series General Purpose Surgical Table Specifications

---



### Electrical Specifications

Power requirements	120 VAC, 60Hz, 450 Watts
Current Leakage	Less than 100 micro amps
Power Cord	15 feet w/hospital grade connector (removeable on battery model)

## SPECIAL USER ATTENTION

The extreme positioning capabilities of the 6500 Series Table requires special attention for possible interference points when using multiple function positioning. As with the operation of any surgical table, a certain amount of care should be exercised to position the patient safely. Although the thick pads and sheets substantially protect the patient, pinch points, located at the joints of the top section should always be considered. **BE SURE THAT THE ARMS, HANDS AND FINGERS OF THE PATIENT AND THOSE OF THE OPERATING ROOM PERSONNEL ARE CLEAR OF ALL MOVING PARTS BEFORE MOVING THE TABLE.** Proper restraints should always be used for patient safety.

Certain accessories such as the Uro-Drain Tray, Armboards and X-Ray top can be damaged when changing the position of the table top sections. Always look first to see if a desired movement is going to interfere with any accessories in use.

The operator has the ultimate responsibility of preventing damage to the table and surrounding equipment or possible injury to the patient or staff. In general, common sense will dictate when there is a potential hazard.

***The following precautions should be reviewed by all personnel prior to operating the table.***



### WARNING



Indicates a possibility of personal injury.



### CAUTION



Indicates a possibility of damage to equipment.

### NOTE

Indicates important facts or helpful hints.



### WARNING



Risk of electrical shock. Make sure power cord is disconnected prior to accessing fuses.

### NOTE

Activating any function button will activate the brake system. Using the TABLE UP function to set the brakes provides a visual assurance that the brakes are locked. As the brake cylinders are extending, the entire table will move slightly. When the table top begins to elevate, the brakes are fully locked.



### WARNING



**DO NOT** unlock brakes when a patient is on the table. An uneven patient weight load may cause instability.

### NOTE

In case of a power failure or an electrical problem within the table, the emergency brake release system can be used to move the table. The control lever for this function is located on the side of the table base and is identified by an EMERGENCY BRAKE RELEASE label. Turn the lever counterclockwise to release the brakes.



### WARNING



- The Emergency Brake Release Valve must be closed and tightened (clockwise) before activating any hydraulic function.

- If the Emergency Brake Release Valve has been operated, the UNLOCK button on the pendant control will have to be pressed before brakes will lock again.

### NOTE

- If brakes fail to set, make sure the Emergency Brake Release Lever is tight (clockwise).

- If the Emergency Brake Release Valve has been operated, the UNLOCK button on the pendant control will have to be pressed before brakes will lock again.

### NOTE

- Turning the Main Power Switch ON will change the table operation to 120 VAC power regardless of the position of the BATT button.

- If Battery operation is activated while Main Power Switch is ON there will be approximately a 4 second delay before Battery operation activates.

### NOTE

The table will operate correctly on battery power with the power cord connected to a wall outlet or disconnected.



## SPECIAL USER ATTENTION

### NOTE

Battery Operation must be turned OFF at the pendant control. It can not be turned Off using the main power switch.

### NOTE

When the amber light starts to blink (indicating low power in battery) the table will operate for approximately 5 continuous minutes, typically long enough to use the table for the rest of the day.



### WARNING



The charging system operates **ONLY** when the table is in AC120V operation mode.

### NOTE

The table can be operated on 120VAC power while the battery is being re-charged. The green AC 120V indicator light (on the pendant control) will illuminate confirming 120VAC operation.

### NOTE

The emergency back-up control switches will function when the table is operating on 120VAC power, battery power, or turned off.

### NOTE

The main power switch can be placed in the OFF position to completely deactivate all table functions if required during certain procedures or in case of emergency.



### WARNING



DO NOT unlock brakes when a patient is on the table. An uneven patient weight load may cause instability.



### WARNING



The Emergency Brake Release Valve must be closed and tightened (clock-wise) before activating any hydraulic function.

•If the Emergency Brake Release Valve has been operated, the UNLOCK button on the pendant control will have to be pressed before brakes will lock again.

### NOTE

With an evenly distributed patient weight load, all table positioning functions will operate smoothly and quietly with a patient weight of up to 500 pounds. (400 pounds SN-1991-5&P).



### WARNING



To maximize patient safety, utilize proper restraint methods during extreme trendelenburg positioning.



### WARNING



To maximize patient safety, utilize proper restraint methods during extreme lateral tilt positioning.



### CAUTION



To prevent damage to the kidney lift, a safety interlock prevents the back section from going above horizontal if the kidney lift is not all the way down.



### WARNING



The leg section may hit the table base or the floor if both the leg and elevation systems are placed in their full down position.

### NOTE

When REFLEX button is activated, if Kidney Bridge is up, the back section will not go above horizontal.

### NOTE

To prevent damage to the kidney lift, a safety interlock prevents the kidney lift from going up if the back section is raised above horizontal.

### NOTE

Elevation, kidney lift, and brake system functions are not affected by the return to level function.



### WARNING



If the patient position is reversed on the table (patient's back on the leg section), the patient weight limit is 250 lbs.



### WARNING



Ensure that the leg section is properly engaged and secured to pins before use to prevent injury.

## SPECIAL USER ATTENTION

### NOTE

Normal table top position is with the head (and back) section over the power cord end of the base.



### WARNING



Always lock the table top in position after rotation. DO NOT rotate the top with an unevenly distributed patient weight load as instability may result.



### WARNING



- Make sure the TOP ROTATION LOCK HANDLE is tightened and the brakes are set before transferring the patient.

- Exercise caution with the table top rotated 90° to the base since an improperly distributed patient load may cause the table to be tipped over. A table support rod is required for 90° positioning. See Specialty Positioning.

### NOTE

Always follow current AORN Journal Guidelines to ensure proper cleaning and disinfection procedure.



### CAUTION



Caution should be taken when cleaning the table to prevent excessive fluid entry into electrical connectors.



### WARNING



Always follow OSHA blood-borne pathogens standards for protective clothing, including gloves, masks and eye protection when cleaning the surgical table.



### CAUTION



Thoroughly read and follow the manufacturer's directions for all cleaning fluids. DO NOT use cleaners containing phenolics.



### CAUTION



When using spray cleaners DO NOT spray fluids directly into electrical receptacles or micro switches.



### CAUTION



Before replacing pads on the table, make sure the pads and all mating surfaces are completely dry. Moisture trapped between the pads and mating surfaces may cause distortion of table tops.

## SECTION I INTRODUCTION

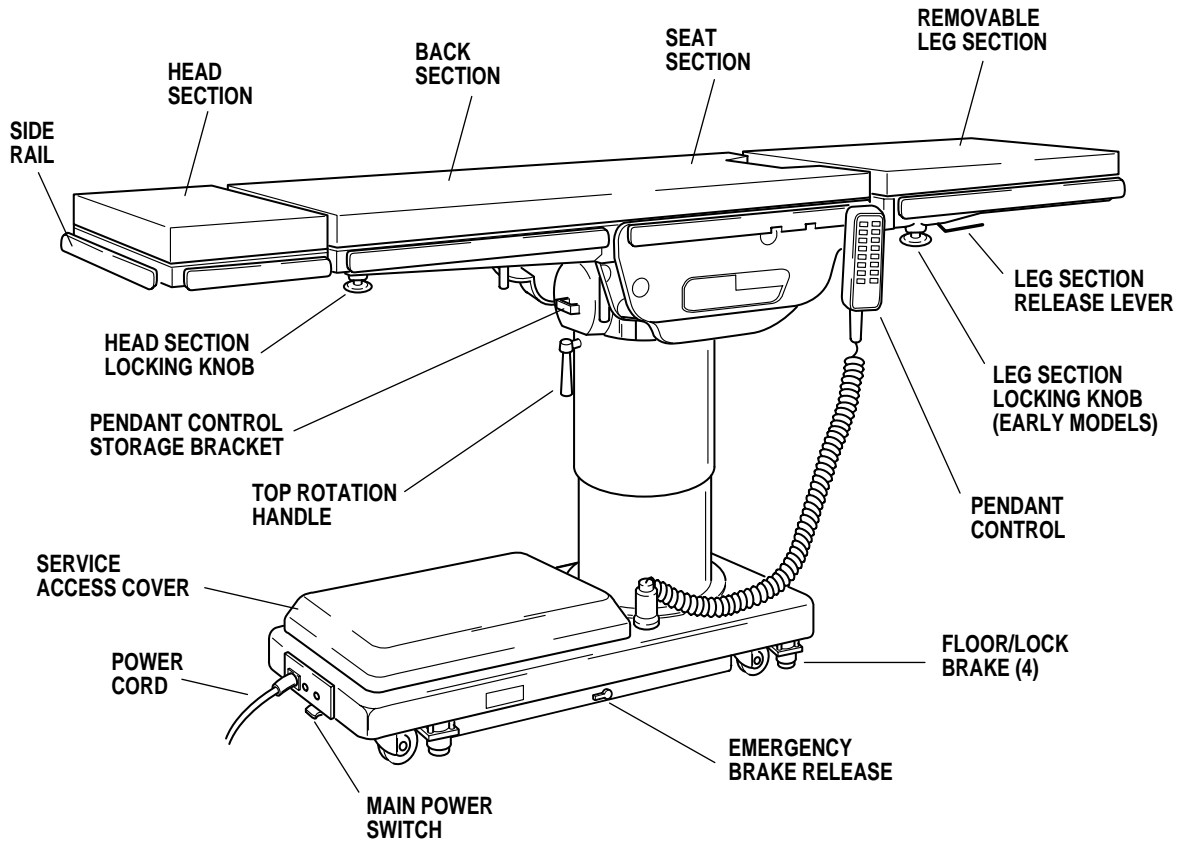


Figure 1-1. Elite 6500

### 1-1. General

SKYTRON's Elite 6500 Series Surgical Tables are electro-hydraulically operated, general purpose surgical tables. See figure 1-1.

The electro-hydraulic positioning functions operated by the hand-held, push button, pendant control unit are: trendelenburg, lateral tilt, back section, elevation, leg section, flex/reflex, kidney lift, return to level, and the floor lock/brake system.

Manual controls are provided for head section positioning, table top rotation, emergency brake release and leg section removal.

### 1-2. Power Requirements

The Elite 6500 Surgical Table requires a 120VAC, 60 Hz electrical power supply. The table is equipped with a 15 foot long power cord with a standard three prong, hospital grade plug. The electrical protection fuses are located behind a cover plate in the electrical enclosure on the front edge of the base.

See figure 1-2. The main power ON/OFF switch is located on the electrical enclosure.



### WARNING



Risk of electrical shock. Make sure power cord is disconnected prior to accessing fuses.

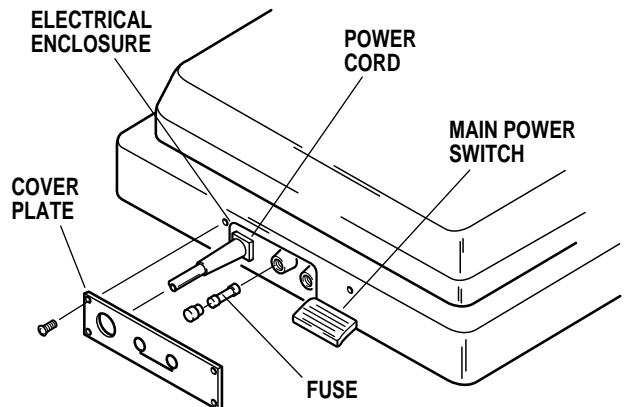


Figure 1-2. Power Switch and Fuse Location

### 1-3. Pendant Control Unit

The hand-held pendant control unit (figure 1-3) has a non-slip rubber cover which assures a positive grip during use. A spring clip hanger located on the back of the control allows it to be stored on the trendelenburg cylinder cap bracket or the table side rails.

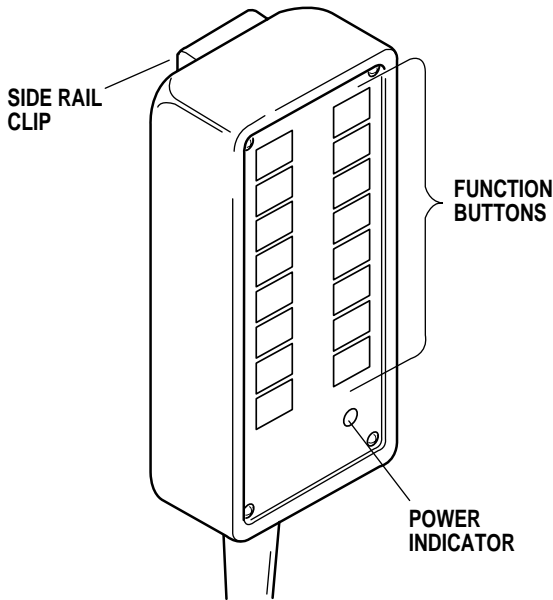


Figure 1-3. Pendant Control Unit

The function push buttons are identified with abbreviated descriptions for all functions. See figure 1-4. The trendelenburg and table up buttons are red, the remaining buttons are all black.

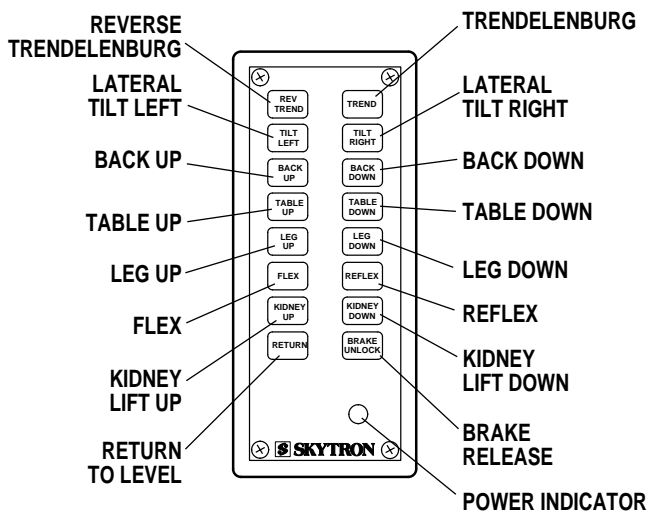


Figure 1-4. Function Push Buttons

### 1-4. Floor Lock/Brake System

The floor lock/brake system consists of four self-leveling, hydraulic brake cylinders which raise and support the table base off from the casters. Press the TABLE UP button on the pendant control to set the table's brakes. An electronic timer will activate the brake system until the brakes are completely set, approximately 8-10 seconds.

#### NOTE

Activating any function button will activate the brake system. Using the TABLE UP function to set the brakes provides a visual assurance that the brakes are locked. As the brake cylinders are extending, the entire table will move slightly. When the table top begins to elevate, the brakes are fully locked.

To unlock the brakes, press the UNLOCK button and release. The brakes will retract automatically in approximately 7-8 seconds.



#### WARNING



DO NOT unlock brakes when a patient is on the table. An uneven patient weight load may cause instability.

#### NOTE

In case of a power failure or an electrical problem within the table, the emergency brake release system can be used to move the table. The control lever for this function is located on the side of the table base and is identified by an EMERGENCY BRAKE RELEASE label. Turn the lever counterclockwise to release the brakes.



#### WARNING



- The Emergency Brake Release Valve must be closed and tightened (clockwise) before activating any hydraulic function.

- If the Emergency Brake Release Valve has been operated, the UNLOCK button on the pendant control will have to be pressed before brakes will lock again.

## SECTION II BATTERY TABLE OPERATION

### 2-1. AC 120V Operation

a. Be sure the power cord is plugged into a properly grounded, Hospital Grade, 120VAC outlet. Make sure the power cord is routed to the outlet to prevent it from being in the way of operating personnel.



#### WARNING

Prior to operating the table, observe all table caution labels and review the SPECIAL USER ATTENTION section in the front of this manual.



#### WARNING

Possible explosion hazard exists if table is used in the presence of FLAMMABLE ANESTHETICS.

b. Depress the main power ON/OFF switch located on the electrical enclosure. See figure 2-1. The green AC 120V, Power-On indicator light located in the lower right corner of the pendant control will illuminate. See figure 2-2.

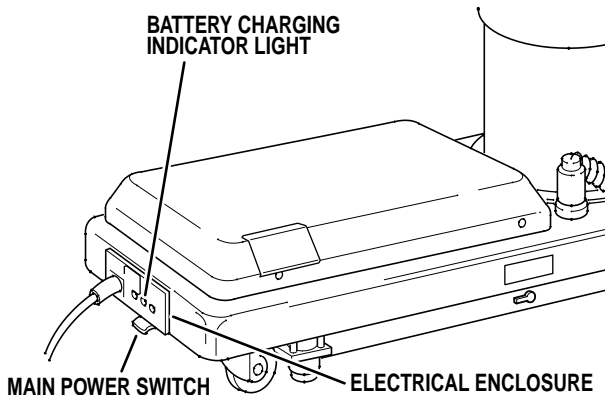


Figure 2-1. Main Power Switch

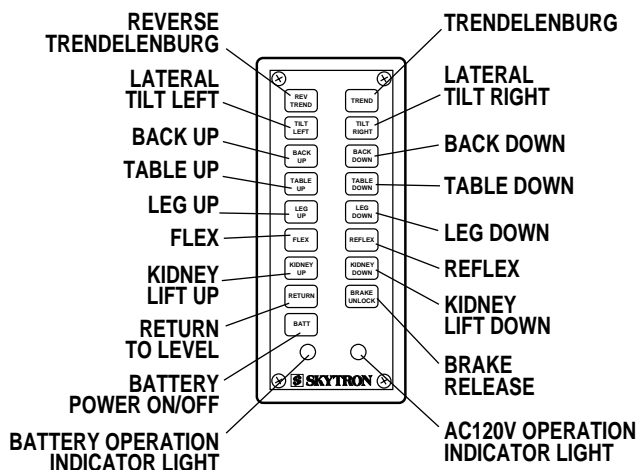


Figure 2-2. Pendant Control

c. The table is now ready for 120VAC operation. Press the TABLE UP button on the pendant control to set the table's brakes. An electronic timer will activate the brake system until the brakes are completely set, approximately 8-10 seconds. Press the desired function button to position the table.

#### NOTE

- If brakes fail to set, make sure the Emergency Brake Release Lever is tight (clockwise).

- If the Emergency Brake Release Valve has been operated, the UNLOCK button on the pendant control will have to be pressed before brakes will lock again.

#### NOTE

- Turning the Main Power Switch ON will change the table operation to 120 VAC power regardless of the position of the BATT button.

- If Battery operation is activated while Main Power Switch is ON there will be approximately a 4 second delay before Battery operation activates.

### 2-2. Battery Operation

a. Make sure the green, AC 120V, Power-On indicator light, on the hand-held pendant control, is OFF. See figure 2-2. If the indicator light is ON, depress the main power ON/OFF switch, located on the electrical enclosure to turn AC120V operation OFF.

#### NOTE

The table will operate correctly on battery power with the power cord connected to a wall outlet or disconnected.

b. Press the BATT button on the hand-held pendant control. The amber BATTERY indicator light, located in the lower left corner of the pendant control, will illuminate. This confirms that the table is now being operated with battery power.

c. The table is now ready to operate on battery power. Press TABLE UP button on the pendant control to set the table's brakes. An electronic timer will activate the brake system until the brakes are completely set, approximately 8-10 seconds. Press desired function button to position the table.

d. To extend the battery charge life, turn the BATTERY power OFF with the pendant control when the table is not going to be used.

**NOTE**

Battery Operation must be turned OFF at the pendant control. It can not be turned Off using the main power switch.

**2-3. Automatic Shut-Off**

a. To prevent unnecessary discharge of the battery, a timer is built into the battery circuit. This timer will automatically shut the battery power OFF after 1½ hours of table inactivity.

b. To turn the table “ON” again, simply press the BATT button on the pendant control and the amber indicator light will illuminate. Select any control button to operate the table.

**2-4. Charging the Battery**

a. If the battery needs to be charged when operating the table on battery power, the amber indicator light on the pendant control will begin to blink. At this time the battery needs to be recharged.

**NOTE**

When the amber light starts to blink (indicating low power in battery) the table will operate for approximately 5 continuous minutes, typically long enough to use the table for the rest of the day.



**WARNING**



The charging system operates ONLY when the table is in AC120V operation mode.

b. To recharge the battery simply plug the power cord into a 120VAC wall outlet, if not already plugged in. Turn the main power ON/OFF switch ON by depressing it. The green AC120V operation light, located on the lower left corner of the pendant control, will illuminate.

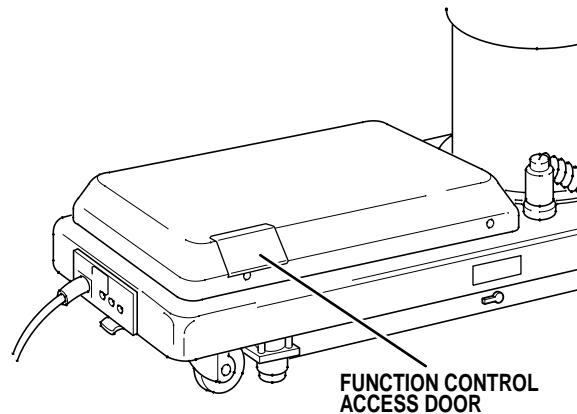
c. A full battery charge will last approximately 2 weeks under normal operating conditions. However, it is recommended to charge the batteries at the end of each week to establish a normal routine protocol.

**NOTE**

The table can be operated on 120VAC power while the battery is being recharged. The green AC 120V indicator light (on the pendant control) will illuminate confirming 120VAC operation.

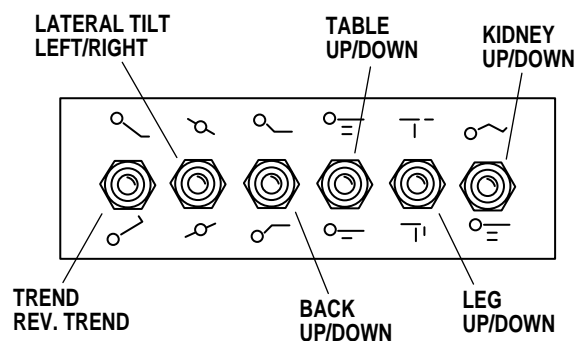
**2-5. Emergency Back-up Controls**

a. The emergency back-up control switches are located under the access door on the service access cover in the table base. See figure 2-3.



**Figure 2-3. Emergency Controls Location**

b. In the event of either a power failure or a problem with the hand-held pendant control, the table can be operated using the emergency back-up switches. Simply push the desired emergency switch in the appropriate direction to operate the table functions. See figure 2-4. These switches are spring-loaded so they return to the neutral or center position when released.



**Figure 2-4. Emergency Back-Up Controls**

**NOTE**

The emergency back-up control switches will function when the table is operating on 120VAC power, battery power, or turned off.

## SECTION III OPERATION

### 3-1. Electrical Power

a. Check to be sure the power cord is plugged into a properly grounded, Hospital Grade, 120VAC outlet. Make sure the power cord is routed so as to prevent it from being in the way of the operating personnel.

b. Depress “Main Power ON/OFF” switch on the electrical enclosure. See figure 3-1. The green POWER ON indicator light on the pendant control should now be illuminated.

#### NOTE

The main power switch can be placed in the OFF position to completely deactivate all table functions if required during certain procedures or in case of emergency.

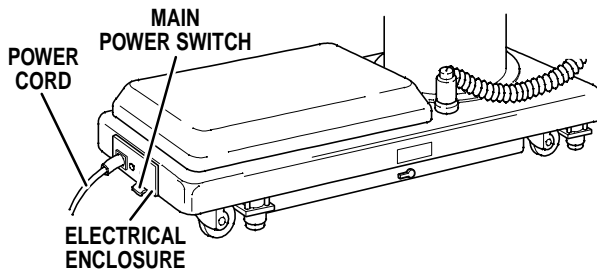


Figure 3-1. Main Power Switch

### 3-2. Positioning Functions

The hand-held pendant control (figure 3-2) activates the following table functions:

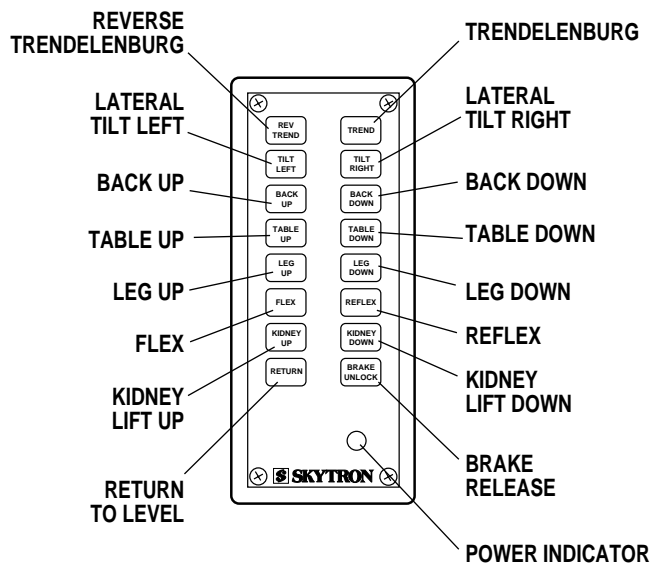


Figure 3-2. Pendant Control Unit

a. **Floor Lock/Brake System.** To activate the brakes without affecting table positioning, press the TABLE UP button. See figure 3-3. The elevation cylinder will not function until the brakes are completely extended.

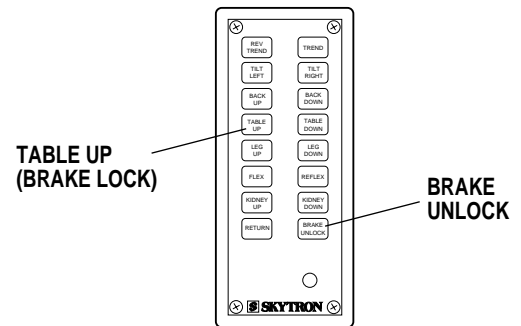


Figure 3-3. Brake System Activation

Press the BRAKE UNLOCK button on the pendant control to release the four self-leveling brake feet in order to move the table. See figure 3-3. The brake delay circuit automatically retracts the brake system with just one press of the BRAKE UNLOCK button. It takes approximately 7-8 seconds to totally release the system.



#### WARNING



DO NOT unlock brakes when a patient is on the table. An uneven patient weight load may cause instability.

b. **Emergency Brake Release.** In case of a power failure or an electrical problem within the table, the emergency brake release system can be used to move the table. The control lever for this function is located on the side of the table base and is identified by an EMERGENCY BRAKE RELEASE label. Turn the lever counterclockwise to release the brakes. See figure 3-4.

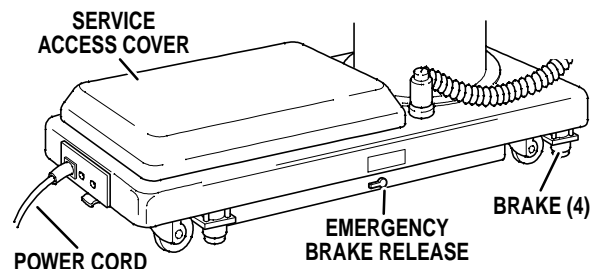


Figure 3-4. Emergency Brake Release



### WARNING



The Emergency Brake Release Valve must be closed and tightened (clockwise) before activating any hydraulic function.

- If the Emergency Brake Release Valve has been operated, the UNLOCK button on the pendant control will have to be pressed before brakes will lock again.

### NOTE

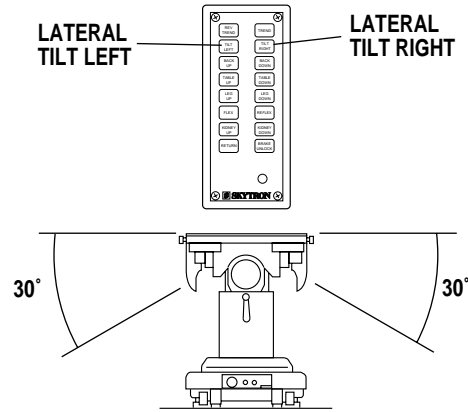
With an evenly distributed patient weight load, all table positioning functions will operate smoothly and quietly with a patient weight of up to 500 pounds. (400 pounds SN-1991-5&P).



### WARNING



To maximize patient safety, utilize proper restraint methods during extreme lateral tilt positioning.



**Figure 3-6. Lateral Tilt Positioning**

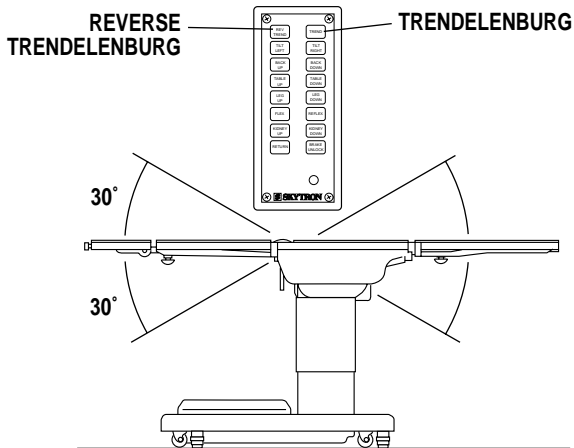
**c. Trendelenburg.** To place the surgical table in a Trendelenburg (head down) position, press the TREND button (figure 3-5). Trendelenburg positioning of up to 30° may be obtained. To place the table in a reverse Trendelenburg (head up) position, press the REV TREND button. Reverse Trendelenburg positioning of up to 30° may be obtained.



### WARNING



To maximize patient safety, utilize proper restraint methods during extreme Trendelenburg positioning.



**Figure 3-5. Trendelenburg Positioning**

**d. Lateral Tilt.** To achieve lateral tilt right (as viewed from the head end of the table), press the TILT RIGHT button (figure 3-6). Tilt of up to 30° may be obtained. To achieve lateral tilt left, press the TILT LEFT button. Tilt of up to 30° may be obtained.

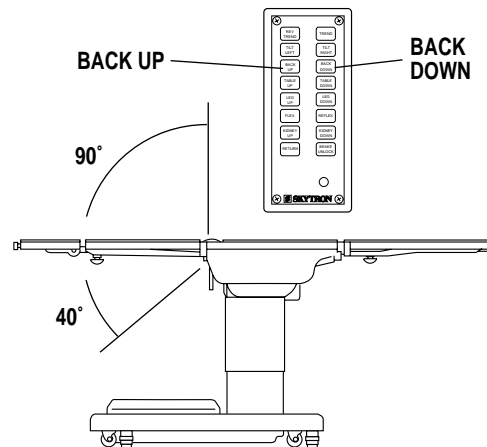
**e. Back Section.** To raise the back section, press the BACK UP button (figure 3-7). The back section will raise up to 90° above horizontal. To lower the back section, press the BACK DOWN button. The back section will go down to 40° below horizontal.



### CAUTION



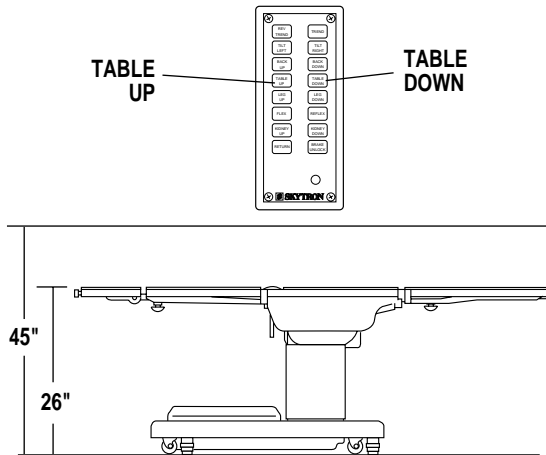
To prevent damage to the kidney lift, a safety interlock prevents the back section from going above horizontal if the kidney lift is not all the way down.



**Figure 3-7. Back Section Positioning**

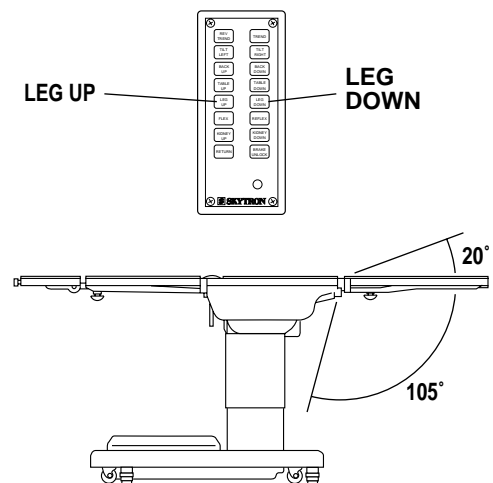


**f. Elevation.** To raise table top, press the TABLE UP button (figure 3-8). The table will lift a patient weight of 500 pounds up to a maximum height of 45" (49" with X-Ray top and 2" pad). To lower the table top, press the TABLE DOWN button. The table top will go down to a minimum height of 26".



**Figure 3-8. Elevation Function**

**g. Leg Section.** To lower the leg section, press the LEG DOWN button (figure 3-9). The leg section will go down to 105° below horizontal. To raise the leg section, press the LEG UP button. The leg section will go up to 20° above horizontal.



**Figure 3-9. Leg Section Positioning**



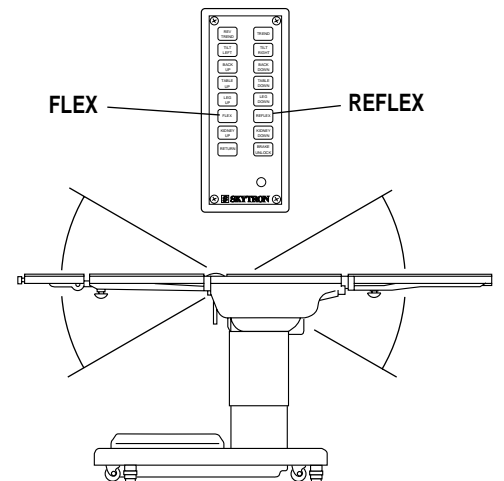
**WARNING**

The Leg section may hit the table base or the floor if both the leg and elevation systems are placed in their full down position.

**h. Flex Positioning.** To place the table top in a flex position from horizontal, press the FLEX button (figure 3-10). To return the table top to a horizontal position or into a reflex position, press the RETURN or REFLEX button.

**NOTE**

When REFLEX button is activated, if Kidney Bridge is up, the back section will not go above horizontal.

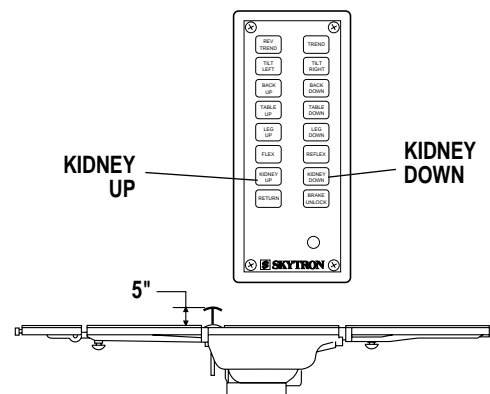


**Figure 3-10. Flex/Reflex Positioning**

**i. Kidney Lift.** To raise the built-in kidney lift, press the KIDNEY UP button (figure 3-11). Up to 5 inches of lift can be achieved. Press the KIDNEY DOWN button to lower the kidney lift.

**NOTE**

To prevent damage to the kidney lift, a safety interlock prevents the kidney lift from going up if the back section is raised above horizontal.

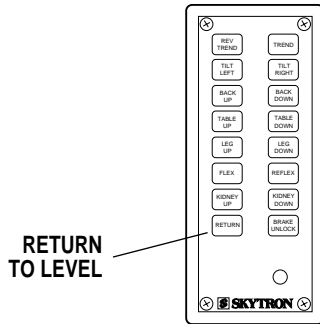


**Figure 3-11. Kidney Lift Positioning**

**j. Return To Level.** To return the table top to a level position, press the RETURN button (figure 3-12).

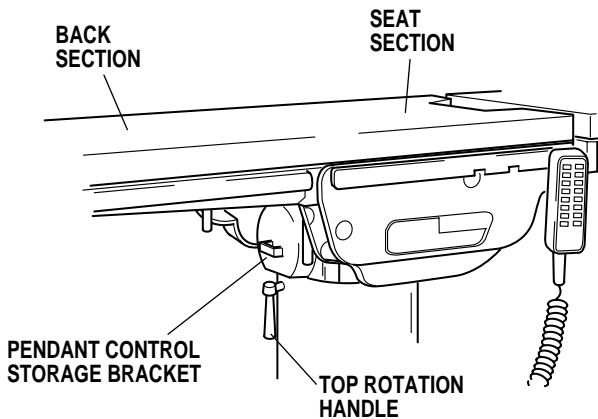
**NOTE**

Elevation, kidney lift, and brake system functions are not affected by the return to level function.



**Figure 3-12. Return To Level**

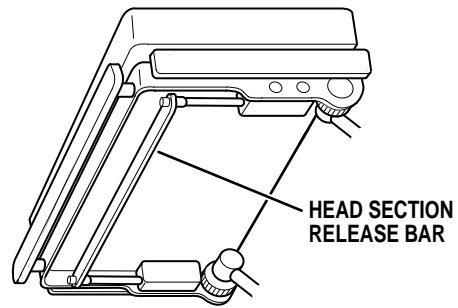
**k. Pendant Control Storage.** When the Pendant Control is not in use, it should be stored on a convenient side or end rail. A bracket is located under the table top for storage of the Pendant Control when the table is not in use and during cleaning. See figure 3-13.



**Figure 3-13. Pendant Control Storage Bracket**

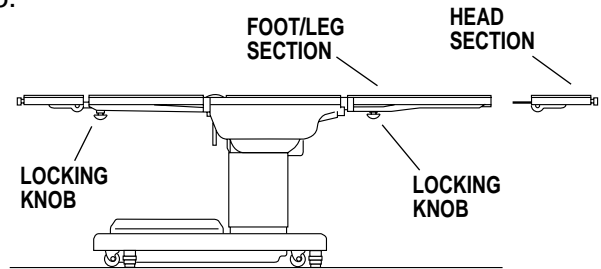
**3-3. Head Section**

**a.** A quick release positioning bar located under and to the front of the head section (figure 3-14) is used to raise or lower the head section. Pull the release bar toward the head end to allow the section to pivot up or down. Positioning from 60° above horizontal to 90° below horizontal in 15° increments is available. Release the bar to lock the head section in position.



**Figure 3-14. Head Section Adjustment**

**b.** By loosening two locking knobs beneath the back section, an additional 5" of longitudinal adjustment can be achieved. If desired, the head section may be removed by loosening the locking knobs and pulling it straight out of the back section. 6500 Series Tables have the capability of attaching the head section to the leg section for use as a foot extension ONLY. Do Not reverse the patient on the table without first consulting with SKYTRON. Two locking knobs are located on the inside of the leg section for securing the head section. See figure 3-15.



**Figure 3-15. Repositioning Head Section (for use as a Foot Extension)**



**WARNING**

If the patient position is reversed on the table (patient's back on the leg section), the patient weight limit is 250 lbs.

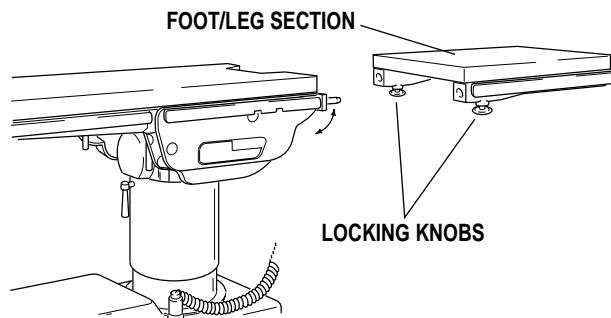
**3-4. Leg Section Removal.**

**a. Early Table Models** - For increased surgeon access in the perineal area, the leg section can be removed from the table. To remove the leg section, loosen the two locking knobs located beneath the leg section and pull the section out. See figure 3-16. Press the LEG DOWN button on the pendant control to position the leg section attachment pins down and out of the way.

To Install Leg Section, Press and hold the LEG UP button until the leg section attachment pins completely stop before installing the leg section to the table. Tighten locking knobs securely.

**WARNING**

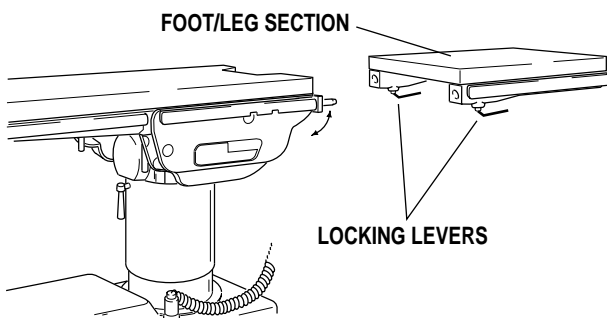
Ensure that the leg section is properly engaged and secured to pins before use to prevent injury.



**Figure 3-16. Leg Section Removal**

**b. Later Model Tables** - To remove the leg section on the later model tables, simultaneously depress both release levers and pull the leg section out. See figure 3-17. Press the LEG DOWN button on the pendant control to position the leg section attachment pins down and out of the way.

To Install Leg Section Press, and hold the LEG UP button until the leg section attachment pins completely stop. Install the leg section on the pins. Pull out on the leg section to make sure the release levers are completely locked.



**Figure 3-17. Leg Section Release Levers**

**3-5. 180 Degree Table Top Rotation.**

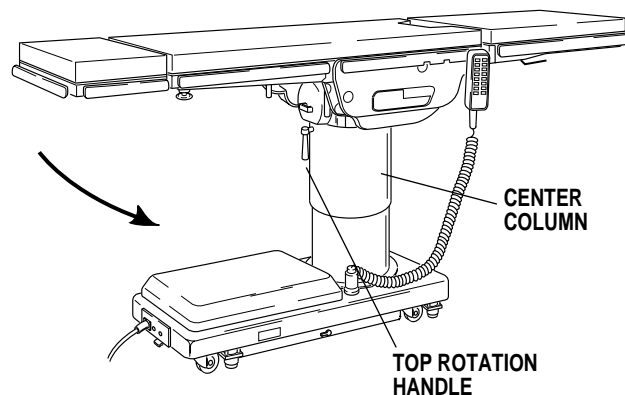
**NOTE**

Normal table top position is with the head (and back) section over the power cord end of the base.

**a.** The table top can be horizontally rotated 180° without having to rotate the entire table. To rotate the top, turn the TOP ROTATION LOCK HANDLE counterclockwise (figure 3-18), grasp the table by the head end and rotate the top 180° counterclockwise. Lock the top in position by tightening the TOP ROTATION LOCK HANDLE clockwise.

**WARNING**

Always lock the table top in position after rotation. DO NOT rotate the top with an unevenly distributed patient weight load as instability may result.



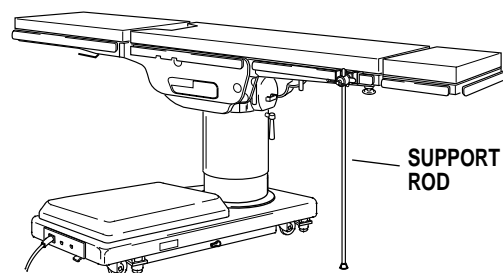
**Figure 3-18. 180 Degree Top Rotation**

**b.** The use of the optional support rod allows the table top to be rotated 90° from the base. See figure 3-19.

**WARNING**

- Make sure the TOP ROTATION LOCK HANDLE is tightened and the brakes are set before transferring the patient.

- Exercise caution with the table top rotated 90° to the base since an improperly distributed patient load may cause the table to be tipped over. A table support rod is required for 90° positioning. See Specialty Positioning.

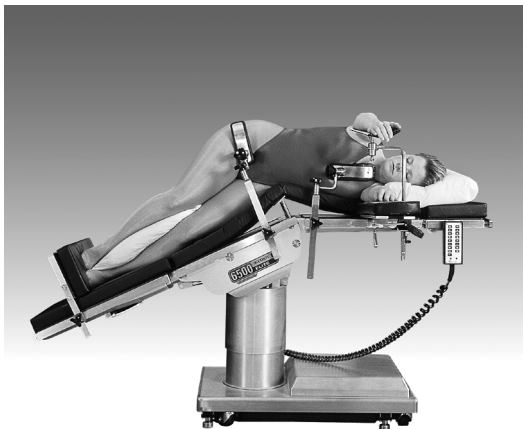


**Figure 3-19. 90 Degree Top Rotation**

**3-6. Specialty Positioning**

The use of certain optional accessories available from SKYTRON further extend the positioning capabilities of the 6500 Series Tables. Refer to the following "Positioning Guidelines" or contact your SKYTRON representative for further details.

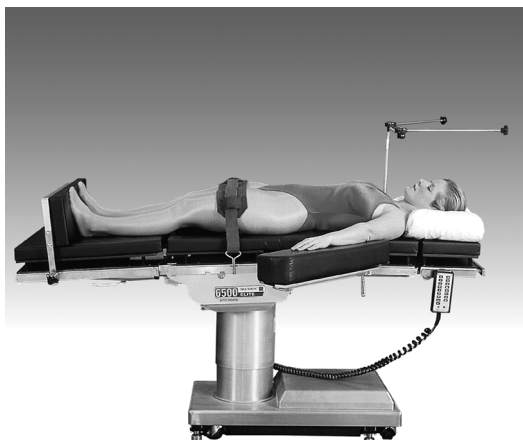
## 6500 Series Patient Positioning Guidelines



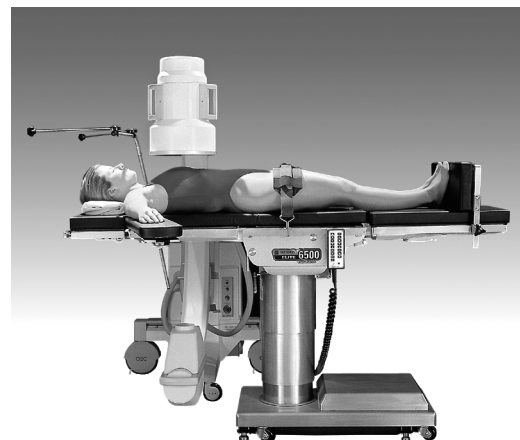
**Thoracic/Kidney** Accessories: 2-010-2 + 2-010-02-2P Standard Armboard with 2" pad; 2-020-01-1 Raised Armboard; 6-040-05 Clark Socket; 3-010-01 Chest and Waist Supports; 4-030-02-B + 4-030-02-2P 8" Foot Extension with 2" Pad.



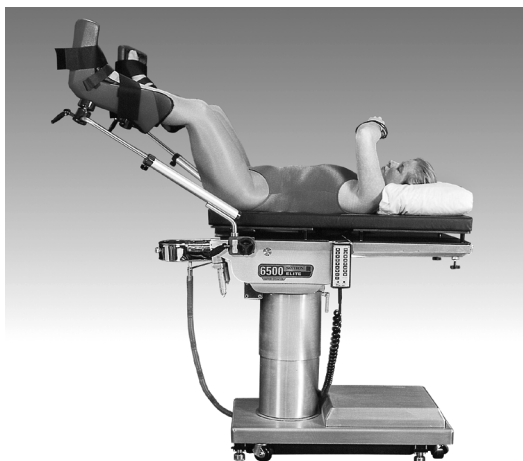
**Ureteroscopy** Accessories: 2-010-02 + 2-010-02-4P Standard Armboard with 4" pad; 2-020-01-1 Raised Armboard; 6-040-05 Clark Socket; 4-090-02-1 Levitator Stirrups; (2) 6-040-05 Clark Sockets; 4-040-14 Urocatcher II; 4-040-14-1 Sterile Pouch; 5-010-09-B Radiographic Top.



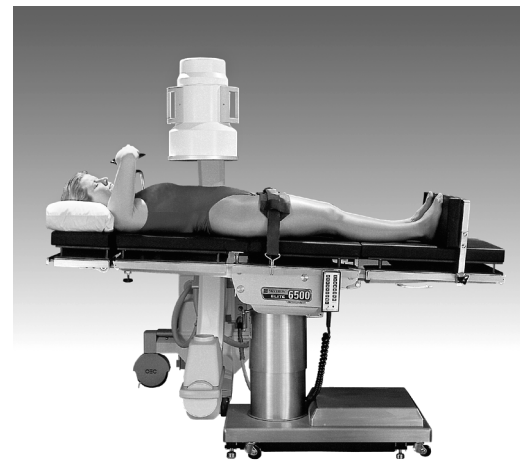
**Abdominal** Accessories: 6-020-04 "L" Type Anesthesia Screen with Adjustable Wings; (2) 2-010-02 + 2-010-02-4P Standard Armboards with 4" Pads; 6-010-41-V Restraint Strap; 4-030-02-B + 4-030-02-2P 8" Foot Extension with 2" Pad; 5-010-09-B Radiographic Top.



**Cardiovascular.** Accessories: 6-020-04 "L" type Anesthesia Screen with Adjustable Wings; (2) 2-010-02 + 2-010-02-2P Standard Armboards with 2" pads; 6-010-41-V Restraint Strap; 4-030-02-B + 4-030-02-2P 8" Foot Extension with 2" Pad.

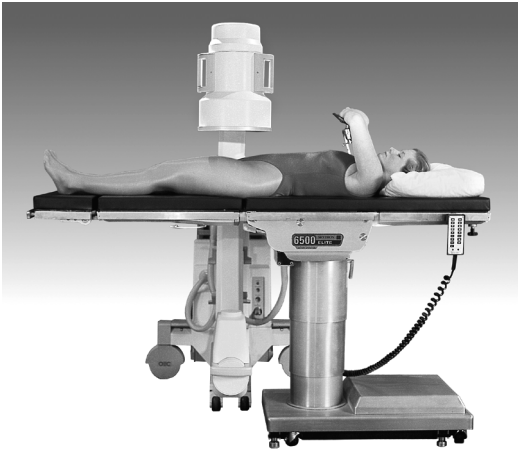


**Cysto/ GYN** Accessories: 2-010-02 + 2-010-02-4P Standard Armboard with 4" Pad; 2-020-01-1 Raised Armboard; 6-040-05 Clark Socket; 4-080-01-1 Ankl-Lock III Stirrups; (2) 6-040-03 Tri-Clamps; 5-010-09-B Radiographic Top; 4-040-03 Uro Drain Tray.

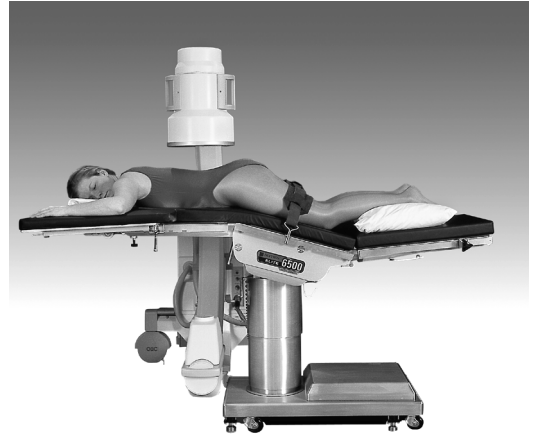


**Gall Bladder** Accessories: 2-020-01-1 Raised Armboard; 6-040-05 Clark Socket; 2-010-02 + 2-010-02-4P Standard Armboard with 4" Pad; 6-010-41-V Restraint Straps; 4-030-02-B + 4-030-02-2P 8" Foot Extension with 2" Pad; 5-010-09-B Radiographic Top.

## 6500 Series Patient Positioning Guidelines



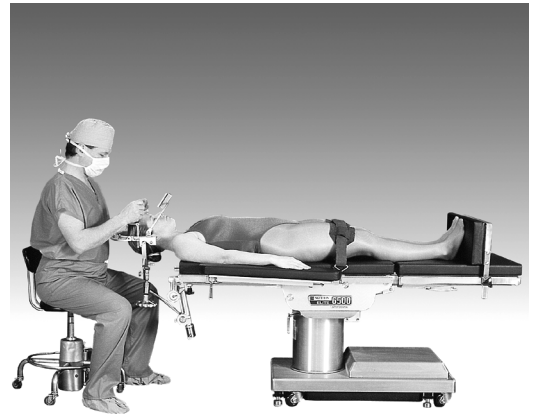
**Hip Revision** Accessories: 2-020-01-1 Raised Armboard; 6-040-05 Clark Socket; 2-010-02 + 2-010-02-2P Standard Armboard with 2" Pad.



**Lumbar** Accessories: (2) 2-010-02 + 2-010-02-2P Standard Armboards with 2" Pad; 6-010-41-V Restraint Strap.



**Neurosurgery.** Accessories: (2) 2-020-01-1 Raised Armboard; (2) 6-040-03 Tri-Clamps; 6-010-41-V Restraint Strap; 4-030-02-B + 4-030-02-2P 8" Foot Extension with 2" Pad.



**Neurosurgery** Accessories: 7-980-02 Multi-Purpose ("Sugita") Head Frame; (2) 2-010-02 + 2-010-02-2P Standard Armboards with 2" Pads; 6-010-41-V Restraint Strap; 4-030-02-B+ 4-030-02-2P 8" Foot Extension with 2" Pad.



**Ophthalmic** Accessories: 2-010-02 + 2-010-02-2P Standard Armboards with 2" Pads; 4-030-02-B + 4-030-02-2P 8" Foot Extension with 2" Pad; Optional: 7-010-07 Narrow Head Section (not shown).



**Shoulder Arthroscopy** Accessories: 3-040-04 Power Lift Shoulder Positioner; (2) 2-020-01-1 Raised Armboards; (2) 6-040-05 Clark Sockets; 6-010-41-V Restraint Strap; 4-030-02-B + 4-030-02-2P 8" Foot Extension with 2" Pad; 3-010-01 Chest and Waist Supports.

## SECTION IV MAINTENANCE

### 4-1. Preventive Maintenance

The following preventive maintenance checks and services are recommended to ensure the serviceability and proper operation of your SKYTRON Surgical Table, and should only be performed by qualified SKYTRON trained personnel.

a. During normal cleaning, a general visual examination should be made checking for leaks, loose bolts or parts, and cracked, chipped, or missing paint. Any necessary repairs should be made. Refer to the 6500 Maintenance Manual.

b. Semi-annually the following checks and services should be performed:

1. Check all hydraulic fittings, mini-valves and slave cylinders for proper operation and any signs of leaks.
2. Check the hydraulic speed controls and adjust if necessary.
3. Pressure check (with a gauge) the pressure relief valve.
4. Check all mechanical adjustments and adjust as necessary.
5. Check hydraulic fluid level.
6. Lubricate the slider assembly.
7. Check function of foot leg release levers, (release knob early models). Lubricate as necessary.

### 4-2. Cleaning Recommendations

#### NOTE

Always follow current AORN Journal Guidelines to ensure proper cleaning and disinfection procedure.



#### CAUTION



Caution should be taken when cleaning the table to prevent excessive fluid entry into electrical connectors.

The following procedures should be followed when cleaning the surgical table between cases.

Place table top in level position prior to starting cleaning procedure.



#### WARNING



Always follow OSHA blood-borne pathogens standards for protective clothing, including gloves, masks and eye protection when cleaning the surgical table.

Remove major contaminants from the table with disposable materials following appropriate biohazard waste disposal procedures.

Remove all table pads and place them on a flat surface for cleaning.



#### CAUTION



Thoroughly read and follow the manufacturer's directions for all cleaning fluids. DO NOT use cleaners containing phenolics.

Apply cleaning fluid liberally to top and sides of each pad and wipe with a clean lint-free cloth.

Using a clean, damp, lint-free cloth, wipe the pads to remove the cleaning fluid.

Using a clean, dry, lint-free cloth, wipe the pads to remove all moisture.

Repeat the steps to clean the bottom of the each pad.



#### CAUTION



When using spray cleaners DO NOT spray fluids directly into electrical receptacles or micro switches.

Repeat cleaning procedure for all table surfaces including the top, sides, elevation column, base and all accessories.



#### CAUTION



Before replacing pads on the table, make sure the pads and all mating surfaces are completely dry. Moisture trapped between the pads and mating surfaces may cause distortion of table tops.

When the cleaning procedure is complete, replace all pads and accessories as applicable.

Remove pendant control from table side rail and apply cleaning solution to the pendant control and cord.

Use a clean cloth dampened with water to remove cleaning solution.

Use another clean damp cloth to remove any remaining residue.

Install pendant control on side rail for storage when cleaning procedure is complete.

#### **4-3. Service**

Table maintenance can be performed by trained maintenance personnel using SKYTRON authorized replacement parts and service techniques. Service instructions and parts are available from SKYTRON.

Preventive Maintenance contracts are available through your local SKYTRON representative.

To obtain service instructions, replacement parts, factory service or preventive maintenance contracts, contact the SKYTRON representative listed below.

Or contact:  
**SKYTRON**  
**5000 36th Street S.E.**  
**Grand Rapids, MI 49512**  
**1-800-SKYTRON (1-800-759-8766)**  
**Fax. 1-616-957-5053**











